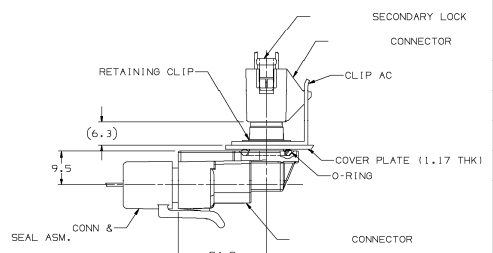
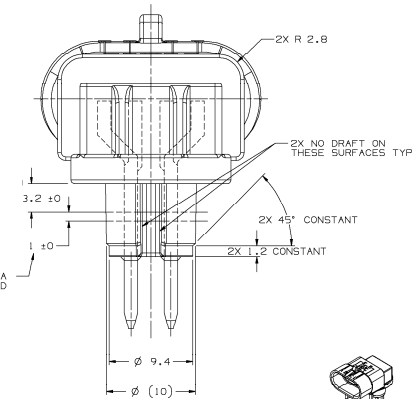
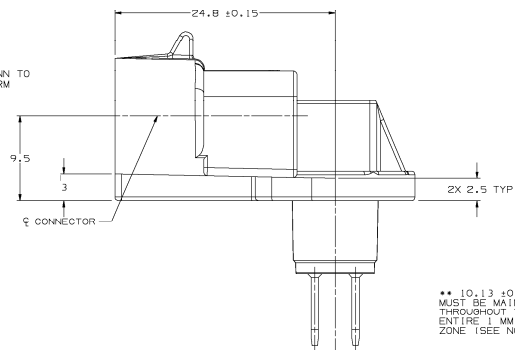
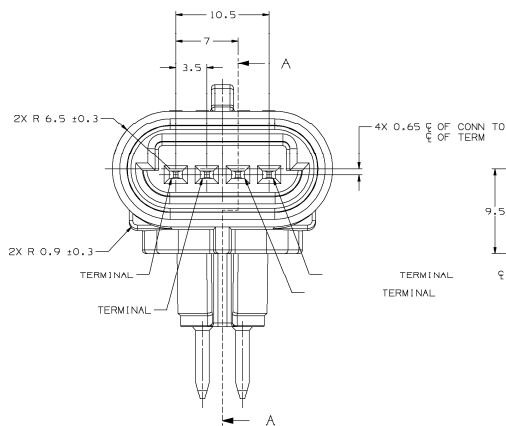


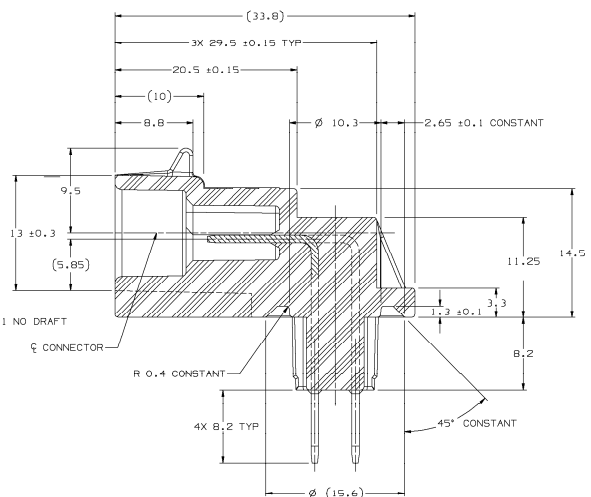
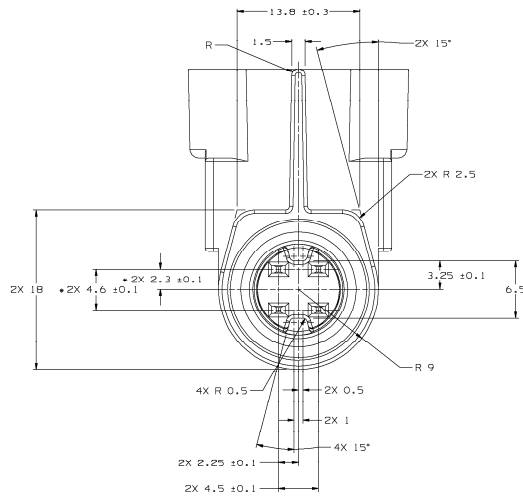
MATING HOLE  
 SCALE: 5:1



CONNECTOR ASSEMBLY  
 SCALE: NONE



\*\* 10.13 ± 0.18 DIA MUST BE MAINTAINED THROUGHOUT THIS ENTIRE 1 MM WIDE ZONE (SEE NOTE 7)



SECTION A - A